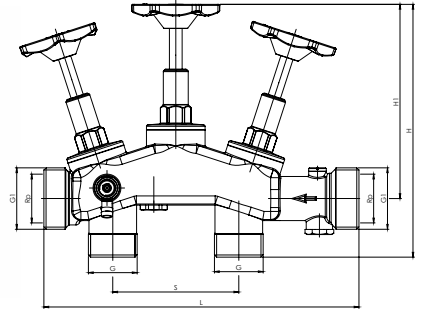


► Bypass-Verschneidearmatur mit RV und Prüfventil



| Preisgruppe WT 1 |     |               | DN | Rp   | G    | G <sub>1</sub> | L   | L <sub>1</sub> | S  | H       | H <sub>1</sub> | SW |
|------------------|-----|---------------|----|------|------|----------------|-----|----------------|----|---------|----------------|----|
| Best-Nr.         | VPE | €/Stck        |    | Zoll | Zoll | Zoll           | mm  | mm             | mm | mm max. | mm max.        | mm |
| 71004.110.2      | 10  | <b>127,59</b> | 25 | 1    | 1    | 1 1/4          | 215 | 76             | 86 | 173     | 133            |    |